

# Sensor Activated Ligature Resistant Faucet

## *EC-3113-VF05 — A New Option for Behavioral and Healthcare Facilities*

### Features:

- Rounded design to reduce ligature attachment points
- Polished chrome plated brass body
- 4" centerset
- Comes standard with hidden 0.5 GPM (1.9 L/M) vandal resistant non-aerated spray device
- Hardwire capable
- Below deck water resistant control module w/ internal flow control switches for adjusting auto time out and shut off delay settings
- Optional auto flush feature flows water for 30 seconds after every 12 inactive hours
- Optional metering mode
- EC-Hardware capable plug in AC adapter or (4) AA battery (DC) power options
- 18" flexible stainless steel supply hoses with 3/8" compression connections
- Low battery LED indicator light



**EC-3113-VF05**



### Product Compliance

- ASME A112.18.1 / CSA B125.1
- NSF 61 - Section 9
- NSF 372 (Low Lead Content)
- ANSI A117.1 (ADA)
- UL 1951

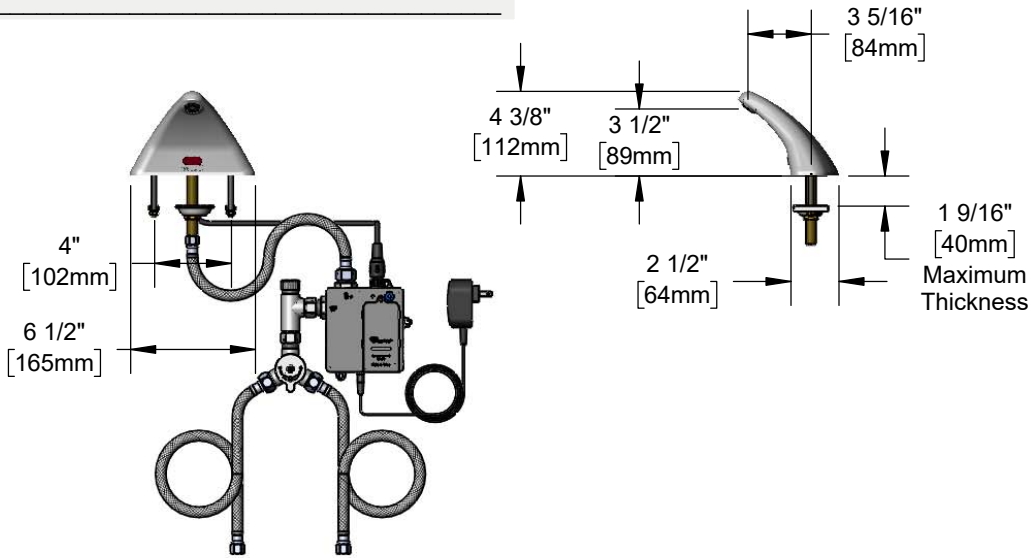
**DISCLAIMER:** This product, when installed in accordance with the Installation Instructions, is specifically designed to reduce the likelihood that the faucet may be utilized for ligature attachment. T&S Brass does not claim that installation of this product will eliminate all risks of death or bodily injury as a result of ligature attachment. This product is not intended to be a substitute for proper patient safety practices for evaluation, treatment and supervision of persons at risk of suicide or self-harm. T&S Brass makes no express or implied warranties regarding the ability of the product to resist all ligature attachment nor prevent intentional death or bodily injury.



**Architect/Engineering Specifications:**

Ligature resistant 4" centerset deck mount electronic sensor faucet with polished chrome plated brass body, cast spout, 0.5 GPM vandal resistant hidden non-aerated spray device, AC/DC control module with internal flow control setting switches, temperature control mixing valve with integral check valves and 18" flexible stainless steel supply hoses with 3/8" compression connections. Certified to ASME A112.18.1/CSA B125.1, NSF 61-Section 9, NSF 372 and UL 1951. Meets ADA ANSI/ICC A117.1 requirements.

Job Name \_\_\_\_\_  
 Model Specified \_\_\_\_\_ Quantity \_\_\_\_\_  
 Variations Specified \_\_\_\_\_  
 Date \_\_\_\_\_



**Features & Benefits:**

- Ligature resistant 4" centerset deck mount faucet
- Polished chrome plated brass body with cast spout
- 0.5 GPM vandal resistant hidden non-aerated spray device, (B-0199-M21-V05)
- Optional auto flush feature flows water for 30 seconds after every 12 inactive hours
- Optional metering mode
- Plug in AC transformer or (4) AA battery (DC) power options
- Mechanical temperature mixing valve with integral check valves
- 18" flexible stainless steel supply hoses with 3/8" compression connections
- Low battery LED indicator light
- Material: Polished chrome plated brass body

**Product Compliance:**

- ASME A112.18.1 / CSA B125.1
- NSF 61 - Section 9
- NSF 372 (Low Lead Content)
- ANSI A117.1 (ADA)
- UL 1951

**Warranty:** Three Year (Limited)

**Performance Data:**

- Pressure: 20 - 125 psi [1.38 - 8.62 bar]
- Temperature: 40°F - 140°F [4.44°C - 60°C]
- Flow Rate: 0.5 GPM [1.9 L/min] @ 60 psi [4.14 bar]
- Water Consumption: @10 sec=.08 gal [.32 L]  
@15 sec=.13 gal [.47 L]



ADA Compliant



**DISCLAIMER:** This product, when installed in accordance with the Installation Instructions, is specifically designed to reduce the likelihood that the faucet may be utilized for ligature attachment. T&S Brass does not claim that installation of this product will eliminate all risks of death or bodily injury as a result of ligature attachment. This product is not intended to be a substitute for proper patient safety practices for evaluation, treatment, and supervision of persons at risk of suicide or self-harm. T&S Brass makes no express or implied warranties regarding the ability of the product to resist all ligature attachment nor prevent intentional death or bodily injury.

